



接线端子 Terminal blocks

带保险丝座/With fuseholder

螺丝 — 螺丝式接线端子
Screw-screw terminals

螺丝 — 插入式接线端子
Screw-Push wire terminals

插入式—插入式接线端子
Push wire- push wire terminals

所有 A.A.G. Stucchi所有产品都“意大利制造”
All A.A.G. Stucchi products are entirely “Made in Italy”.

灯具的端子块

这种端子块专为灯具设计，电工通过螺丝或推入式端子就可以将电源线和内部电路连接在一起。

内部线路的连接也可以通过螺丝和推入式端子实现（只需一推即可插入导线）。

各种接地连接可在不使用电线的情况下连接灯具的金属框或齿轮盘与地线。

这些端子块与灯具的固定可通过螺丝实现，或只需将钩插入适当的孔中即可。

按入式端子块

有燕尾榫的端子块，可以连接其他相同类型的端子块。

TERMINAL BLOCKS FOR LUMINAIRES

These terminal blocks are specially designed for luminaires because they allow the electrician to connect the cable of the supply line to the internal circuit by means of screw or push wire terminals.

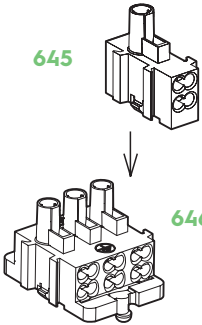
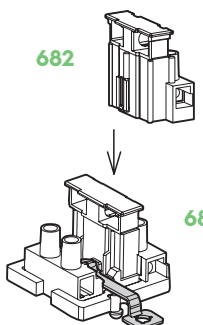
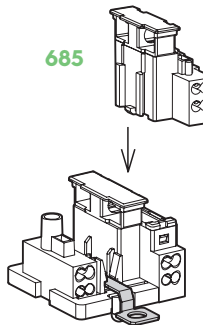
Also the connection of the internal wires can be done by screw or push wire terminals (the insertion of the conductor is made by a simple push).

Different earth connections facilitate connection of the metal frame or gear tray of the luminaires to the line without the use of a wire.

The fixing of these terminal blocks to the luminaires can be made by screw or simple insertion of the hooks into the suitable holes.

PUSH CLAMPING TERMINAL BLOCKS

Terminal blocks with dovetails to which other terminal blocks of the same type can be fixed.

 <p>也适用于： also for:</p> <p>645 685/... 684... 686...</p>	 <p>也适用于： also for:</p> <p>682/...</p>	 <p>也适用于： also for:</p> <p>645 646-F/A 684... 685/...</p>
--	--	---

带保险丝座的端子块

电路保险丝放在其中一个孔内的端子块。

版本 ".../R" 带螺丝的接地装置

".../R" 版本端子块与标准端子块不同，接地连接有带有衬套（带两个螺丝的端子）。这样，在灯具会伸出地线时接线会更加容易。

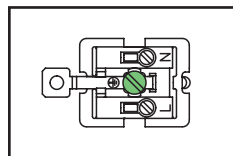
TERMINAL BLOCKS WITH FUSEHOLDER

Terminal blocks in which the protection fuse of the circuit is placed in one of the poles.

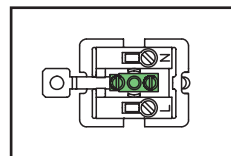
VERSION ".../R" WITH SCREWED EARTH FACILITY

Version ".../R" of our terminal blocks differs from the standard one as it has a bushed earth connection (terminals with two screws). This makes wiring easier when more earth wires come out from the lighting fixture.

标准版本
Standard version



".../R" 版本
Version ".../R"



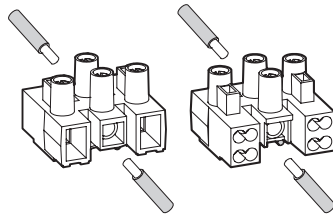
带螺纹接地端子的端子块

输入端：螺丝，输出端：螺丝

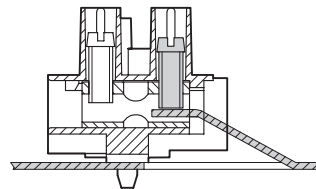
在这种端子块的接地端子中，导线由螺丝夹紧。接地端子的输出端可以直接固定到灯具金属部分的金属条上。

TERMINAL BLOCKS WITH THREADED EARTH TERMINALS INPUT SIDE: SCREW, OUTPUT SIDE: SCREW

These terminal blocks have an earth terminal where the conductors are clamped by a screw. The output side of this earth terminal can be directly fixed to a metal strip being part of the metal body of the luminaire.



666-F/...



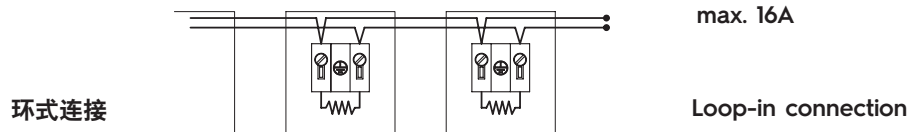
端子块的额定电流

输入端：螺丝，输出端：推入式端子

- 目录中的额定电流是指端子块每个孔的最大总电流。
- 对于回路连接，额定电流仅通过输入连接循环，固定为16A。

CURRENT RATING FOR TERMINAL BLOCKS INPUT SIDE: SCREW, OUTPUT SIDE: PUSH WIRE TERMINALS

- The nominal current shown in the catalogue is the maximum total current per pole of the terminal block.
- For loop-in connections, the nominal current circulating through the input connections only, is fixed at 16A.



带螺丝输入端子的端子块的连接容量

- 螺丝输入端子的连接容量为2.5 mm²。
- 根据流入导线的电流及其截面（见表A），螺丝输入端子可以接受1根或2根导线。

CAPACITY OF CONNECTION FOR TERMINAL BLOCKS WITH SCREW TERMINALS

- The capacity of connection in screw terminals is 2,5 mm².
- Screw terminals can accept 1 or 2 wires depending on the current flowing through wires and their section (see tab. A).

682/... - 683/..				
部分	Section	1	1,5	2,5
线的数目	No. wires	2	2	1

A

646-F/A - 666-F/A... - 673/... 676-F/... - 678-F/... - 679/... - 685...				
部分	Section	1	1,5	2,5
线的数目	No. wires	2	2	2

端子块的温度“T...”

根据EN/IEC 60998标准，端子块的温度“T...”是端子块可以使用的最大环境温度。

环境温度是指灯具中端子块周围的空气温度。端子块经过168小时“T...”+30°C的老化测试和1小时“T...”+45°C的高温测试后只标示温度“T...”。

“T...” TEMPERATURE OF TERMINAL BLOCKS

According to EN/IEC 60998 standards the temperature “T...” relating to terminal block is the maximum ambient temperature in which the terminal block can be used. The ambient temperature is considered to be the temperature of the air surrounding the terminal block in the luminaire.

The terminal block is only marked “T...” when it has passed an ageing test, at “T...”+30°C for 168 hours, and an elevated temperature test, at “T...”+45°C for 1 hour.



注意：如果端子块适配的灯具没有给出额定温度，不得安装在环境温度超过40° C的地方。

注意：相连线缆的工作温度不得超过最大额定值，这也是极限温度值。

端子块的端子

带有进线端/出线端的端子块可以有2中类型的端子

- **螺丝端子：**把导体插入合适的空腔然后使用螺丝刀夹紧在螺丝孔下。这些端子可以装硬线，也可以装软线

- **推入式端子：**无需使用螺丝，只要将导体推入到一个或者几个分开的孔中。

电气接触由合适的弹簧提供的压力来保证如果要取出导体，可以把螺丝刀或者其他类似工具插入端子块上面的开口，压住里面的弹簧，知道导体从端子释放。为保证端子不被损坏，取出导线的时候须加小心。

注意：带有3个或者4个孔的端子，如果要从下面的孔去除导体，可以先转动，然后抽出。
必须按下端子块上的按钮，才能够将软性导体插入端子块。

另外，如需取出导体（实心，绞线或者软线），只需按下按钮，直到端子块将导体释放开来。

线缆锁

线缆锁是一种固定电源线的装置。

线缆锁必须用在电源线可能会受到拉动或张紧的可调灯具中，用于避免电线意外断开（EN/IEC 60598-1标准）。

自动接地连接

这种装置会与齿轮盘自动接地。须务必遵循剪切力方向，以实现最好的接地效果。

注意：在生产运输过程中应使用恰当的手段保护自动连接装置，避免装置发生损坏。

接地连接必须插在金属板上，并以恰当的方式支撑，防止发生形变让位置变得不安全。

N.B. Terminal blocks for lighting appliances without a given temperature rating should not be installed in ambients above 40°C.

N.B. The operating temperature of the connecting cables must not exceed their maximum rated value so it can be a limit for the luminaire.

TERMINALS OF THE TERMINAL BLOCKS

Terminal blocks with input/output sides can have two types of terminals:

- **screw terminals:** the conductors are inserted into a suitable cavity and then are clamped, by means of a screwdriver, under the screw shank. These terminals can accept either rigid and flexible wires.

- **push-wire terminals:** the conductors are pushed, without using screws, into one or more separated holes. The electric connection is guaranteed by the pressure of suitable springs. To this type of terminal can only accomodate rigid wires. Releasing of conductors is achieved by inserting a screwdriver or other similar tool in the upper opening in the terminal blocks, pushing the internal spring until the conductor is released from the terminal. Care should be taken to ensure the terminal would not be damaged during the extraction of wires.

N.B. In the terminals with 3 or 4 holes, releasing conductors from the lower holes is achieved by rotation and pulling action. Flexible conductors can be connected only to terminal blocks with push-button which must be pressed in order to allow their insertion.

Also the releasing of the (solid, stranded and flexible) conductors can be made pushing the button until the conductor is released by the terminals.

CABLE LOCK

The cable lock is a device suitable for the supply cable anchorage.

It must be used in the adjustable luminaries where the supply cable can be subjected to pulling or tension thus avoiding accidental disconnection (EN/IEC 60598-1 standards).

AUTOMATIC EARTH CONNECTIONS

These devices automatically earth to the gear tray. Always fix in the shearing direction to achieve the best possible earth.

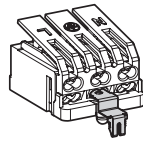
N.B. It is important that damages to the automatic connection are avoided during manufacture and transit, protecting it with suitable means.

The insertion of this earth connection must be done onto metal plate supported in a suitable way in order to avoid deformation which can make its location unsafe.

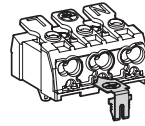


安装完成后，必须根据EN/IEC 60598-1对灯具进行测试。

After fixing, the luminaire must be tested in accordance with EN/IEC 60598-1.



671/A/44



1673/A/44

带自动中央接地连接的端子块警告

使用规格非常关键的产品如自动接地装置时，端子块必须垂直装入金属板中，这样自动接地装置才能正确定位于金属板上而不会有任何变形。

接地装置可与涂漆钢或有抗蚀处理的金属板一起使用，但是由于接地装置采用磷青铜制作，因此不能与铝板一起使用。

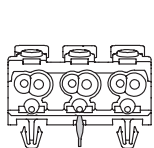
安装厚度和规格包括金属板上的油漆层及最终的切割毛刺。

WARNINGS FOR TERMINAL BLOCKS WITH CENTRAL AUTOMATIC EARTH CONNECTION

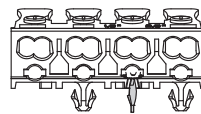
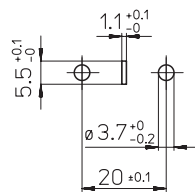
When using products with critical dimensions e. g. automatic earth devices, terminal blocks must be mounted perpendicularly to the metal plate, in such a way that the automatic earth connection correctly locates in to the metal plate without any deformation.

This earth connection can be used with painted steel or metal plates protected against corrosion but, as it is made in phosphor bronze, it can not be used with aluminium plates.

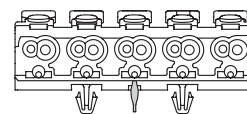
The fixing thickness and dimensions include the layer of the paint on the metal plate and the eventual cutting burr.



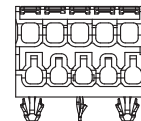
1673/A/42



ET88713077



1675/A/42



2675/A/42

编号 1673/... - 1675/...- ET... 的推入式端子

PUSH WIRE TERMINALS OF ART. 1673/... - 1675/...- ET...

输入侧端子的导线截面

实芯线:	0,5-2,5 mm ² (1673/...)
	0,5-2,5 mm ² (1675/..., ET...)
绞线:	0,5-2,5 mm ² (1673/...)
	0,75-2,5 mm ² (1675/..., ET...)
软线	1,5-2,5 mm ²

Section of wires for input side terminals

Solid:	0,5-2,5 mm ² (1673/...)
	0,5-2,5 mm ² (1675/..., ET...)
Stranded:	0,5-2,5 mm ² (1673/...)
	0,75-2,5 mm ² (1675/..., ET...)
Flexible:	1,5-2,5 mm ²

输出侧端子的导线截面

实芯线:	(a) 0,5-1,5 mm ²
	(b) 0,5-2,5 mm ²
	(c) 0,5-0,75 mm ²

Section of wires for output side terminals

Solid:	(a) 0,5-1,5 mm ²
	(b) 0,5-2,5 mm ²
	(c) 0,5-0,75 mm ²

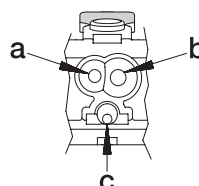
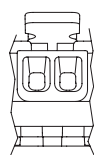
剥皮长度

- 截面为 0,5-1 mm² 的线缆: 8-9 mm
- 截面为 1,5-2,5 mm² 的线缆: 9-10 mm
- 截面为 0,5-0,75 mm² 的线缆: 9-11 mm (1673/...)

Stripping

- cable with 0,5-1 mm² sections: 8-9 mm
- cable with 1,5-2,5 mm² sections: 9-10 mm
- cable with 0,5-0,75 mm² sections: 9-11 mm (1673/...)

输入侧端子
INPUT SIDE TERMINALS

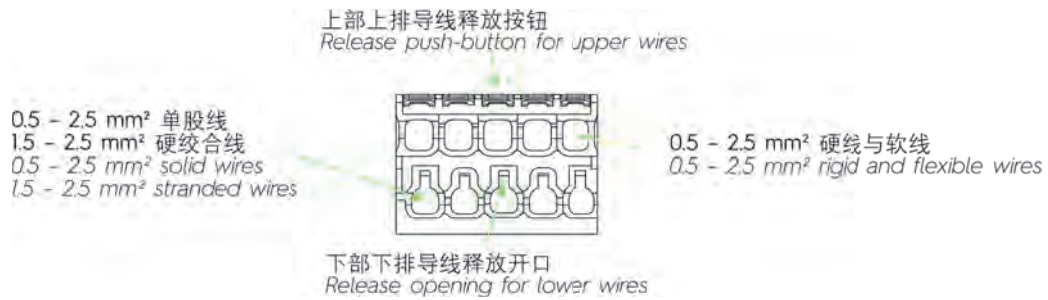


输出侧端子
OUTPUT SIDE TERMINALS



编号2675/...的推入式端子

PUSH WIRE TERMINALS OF ART. 2675/...



灯具最终检测

灯具生产商负责进行挑选并负责部件安装无误，生产商必须对灯具进行最终测试以确认其是否能够正确运行。

我们所有的端子块都适合于灯具最后测试，并且可以 合适的装置上的销钉。

LUMINAIRES FINAL TEST

The luminaire manufacturer is responsible for the choice and the correct mounting of the components and he must also carry out a final test on the luminaire to verify its correct operation.

All our terminal blocks are suitable for the luminaires final test accepting the pins of a proper device.

