

注意事项

本说明页中所述全部操作都必须且只能由专业人员完成。安装装置时,请关掉所有电压设备以及遵守有关国家安装操作规定。

最终用户与/或安装人员需对以下负责,保证:保证系统的电,机械与温度与所安装的框架以及相连接的设备的兼容性。

安装轨道时,不可超过文件中所规定的荷载和距离轨道与其配件以及适配器,不可与不带质量标志的部件一起用。

A.A.G.Stucchi的轨道只可以使用的连接件,A.A.G. Stucchi的连接件只能用于A.A.G. Stucchi的轨道A.A.G. Stucchi公司允许只能使用A.A.G. Stucchi的零配件用于ONETRACK®轨道系统。

零配件需要正确地按照安装说明来进行安装。如果使用非原厂的零配件,或者没有符合安装说明,那么作为生产厂家将不对系统的安全性和功能性所负责。

这种情况下使用者有责任确保产品和灯具间的电气性,机械性及热容性的相兼容。

轨道的轮廓中有一把机械钥匙,以保证多段轨道的正确连接。

另外,端部馈电和接头处有一把机械钥匙(螺钉按照以下的图纸来提供),为保证选择正确的部件,需考虑到这点。

机械钥匙所在的位置以红线标注。

WARNING

All the described operations of this instructions page must be done by specialized personnel only. Exclude voltage plant. Please respect national installation regulations. A.A.G Stucchi allows to use only A.A.G. Stucchi parts in applications where ONETRACK® system is used. These parts must be installed according to the installation instructions. The company as a manufacturer is not responsible for the safety and functioning of the system if parts not belonging to it are used or if any deviation from the installation instructions occurs. It is then the user's responsibility to ensure the electrical, mechanical and thermal compatibility between the system and the fixtures used with it. The track, its components and also the adapters can't be used with accessories without the Quality Mark.

On A.A.G. Stucchi track one can use only A.A.G. Stucchi connections. A.A.G. Stucchi connections can be used only with A.A.G. Stucchi tracks. Do not exceed listed loading indicated in the relevant section and respect fixing distances during the track mounting.

There is a mechanical key on the outline of the track to guarantee the right connection of the multiple pieces of the track.

Also end-feeds and connection joints have a mechanical key (screw presence as per picture below) that must be taken into account in order to choose the right component.

In the catalogue sketches of this articles the position of the key is highlighted with a red line.



电子机械适配器9009...

适配器有两种版本:

9009/... 用于具有照明控制系统的场合

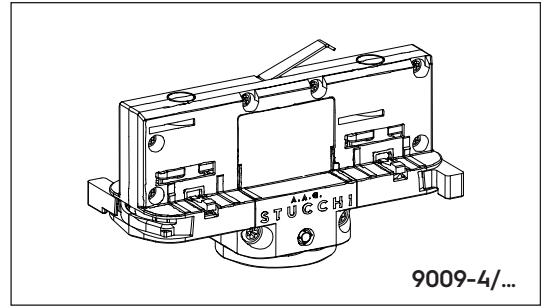
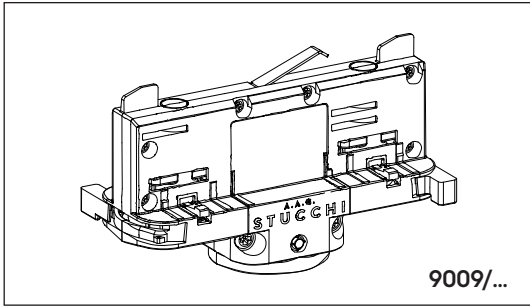
9009-4/... 用于不具有照明控制系统的场合

ELECTRO-MECHANICAL ADAPTER 9009...

Standard adapter is available in two different versions:

- 9009/... for applications with lighting control system

- 9009-4/... for applications without lighting control system



用于不具有照明控制系统的场合

镀锡股导线适用于连接适配器。根据光源电流值，所用导线的截面必须为 0.5毫米² 至 1 毫米²。使用工具连接适配器 (图1)。该工具须单独订购。务必遵照适配器上标出的极性 (L / N / T / D+ / D-)。推入导线，直至正确插入IDC触点。提供有两种不同形式的适用于线径6毫米至9毫米的线缆锁: S-9009/10-... (基本)、S-9009/BC-... (具有塑料平头螺钉)。可使用这三种配件中的一种将光源装入适配器: S-9009/M10 + S-9009/D-10, S-9009/M10+S-9009/D-10, S-9009/51 (注意: 不能将线缆锁S-9009/BC-...与这些配件一同使用)。

ADAPTER WIRING

Tinned and stranded conductors are suitable for adapter wiring. Cross sections from 0.5 mm² to 1 mm² must be used in accordance to the luminaire current value. Wire the adapter (pic.1) with tool which must be ordered separately. Make sure the polarities marked on the adaptor (L / N / E / D+ / D-) are observed. Push the wire until it gets properly inserted into the IDC contact. Two different cable locks versions suitable for cable diameter from 6 mm to 9 mm are available: S-9009/10-... (basic), S-9009/BC-... (with plastic grub screw). One of this three accessories can be used for mounting the luminaries into the adapter: S-9009/M10+S-9009/D-10, S-9009/M10+S-9009/D-10, S-9009/51 (caution: cable lock S-9009/BC-... cannot be used in combination with these accessories).

光源固定到适配器之后，必须用两个螺钉 (1和2) 放置正确的外罩 (A)，外罩和螺钉随适配器提供 (图2)。

Once the luminaire is secured into the adapter, the proper cover must be positioned (A) by means of two screws (1, 2). Cover and screws are supplied with the adapter (pic.2).

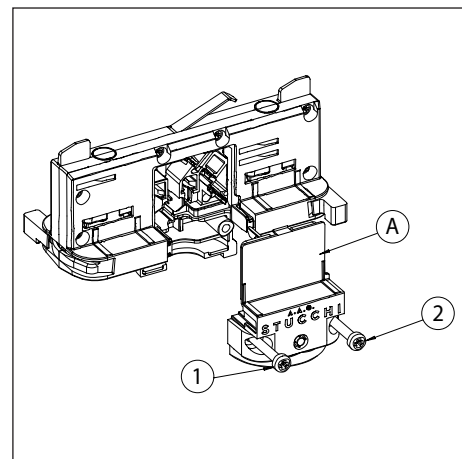
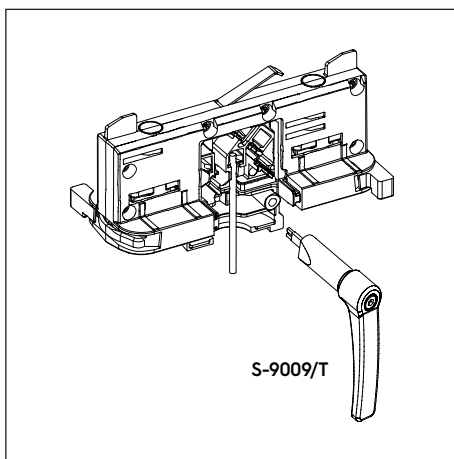


图1 适配器接线
Pic. 1 Adapter wiring

图2 适配器外壳
Pic. 2 Adapter closure



将适配器装入导轨

将适配器插入导轨，使适配器上的机械钥匙 (A) 对准导轨的凹槽 (B) (图3)。

将两个凸轮的字母 (C和D) 转动90°，直至到达锁定位置 (图4)。

。

ADAPTER MOUNTING INTO THE TRACK

Insert the adapter into the track, so that the mechanical key (A) in the adaptor matches the groove (B) in the track (pic.3).

Rotate of about 90° the levers of the two cams (C e D) until they reach the locking position (pic.4).

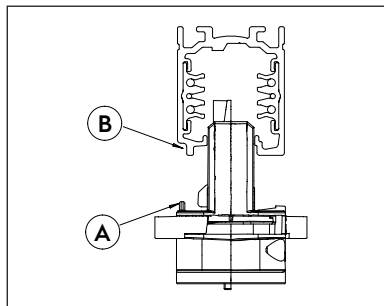


图3 机械钥匙
Pic. 3 Mechanical key

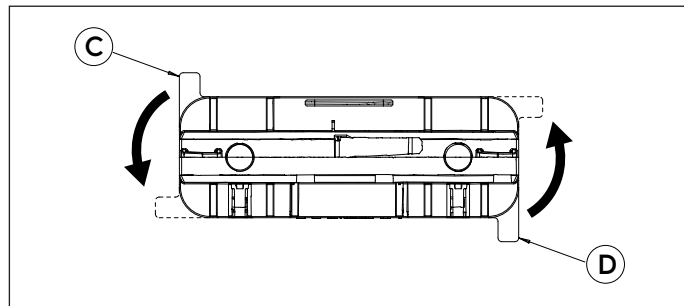


图4 凸轮旋转
Pic. 4 Cams rotation

相位选择

将导轨连接至三相系统时，可通过适配器的适当选择器 (A) 选择相位 (L1、L2或L3)，来为系统的单光源送电 (图5)。

PHASE SELECTION

When the track is connected to a three-phase system it is possible to select the phase (L1, L2 o L3) to distribute the single luminaires in the system, by means of the proper selector (A) of the adaptor (pic.5).

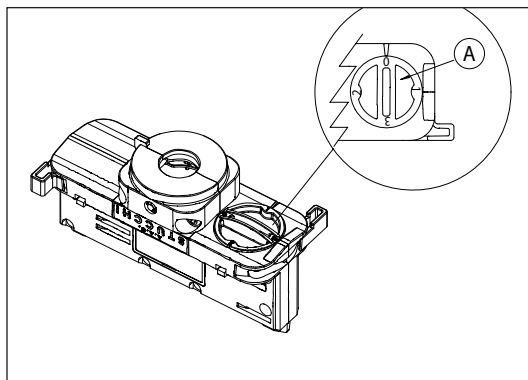


Fig. 5 Selettore di fase
Pic. 5 Phase selector



电子机械适配器9209..

适配器有两种版本：

9209/... 用于具有照明控制系统的场合

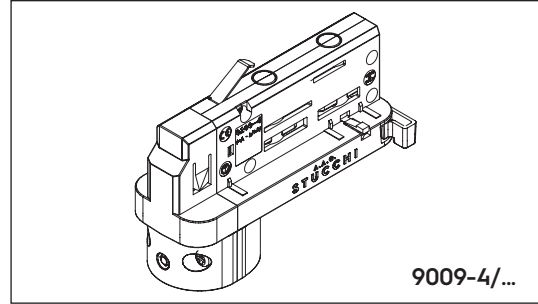
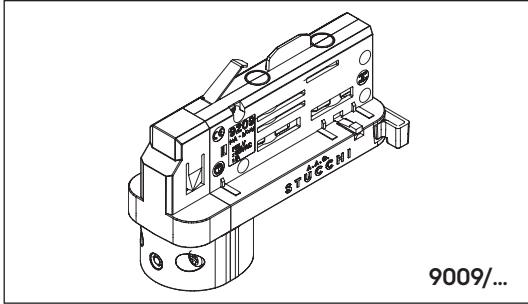
9209-4/... 用于不具有照明控制系统的场合

ELECTRO-MECHANICAL ADAPTER 9009..

Standard adapter is available in two different versions:

- 9009/... for applications with lighting control system

- 9009-4/... for applications without lighting control system



用于不具有照明控制系统的场合

镀锡股导线适用于连接适配器。根据光源电流值，所用导线的截面必须为 0.5毫米² 至 1 毫米²。使用工具连接适配器（图1）。该工具须单独订购。务必遵照适配器上标出的极性（L / N / T / D+ / D-）。推入导线，直至正确插入IDC触点。

提供有两种不同形式的适用于线径6毫米至9毫米的线缆锁：

S- 9009/10-...（基本）、S-9009/BC-...具有塑料平头螺钉）。

可使用这三种配件中的一种将光源装入适配器：

S-9009/M10 + S-9009/D-10, S-9009/M10+S-9009/D-10,

S-9009/51（注意：不能将线缆锁S-9009/BC-...与这些配件一同使用）。

ADAPTER WIRING

Tinned and stranded conductors are suitable for adapter wiring. Cross sections from 0.5 mm² to 1 mm² must be used in accordance to the luminaire current value. Wire the adapter (pic.1) with tool which must be ordered separately. Make sure the polarities marked on the adaptor (L / N / E / D+ / D-) are observed. Push the wire until it gets properly inserted into the IDC contact. Two different cable locks suitable for cable diameter from 6 mm to 9 mm are available: S-9009/10-... (basic), S-9009/BC-... (with plastic grub screw). One of this three accessories can be used for mounting the luminaires into the adapter: S-9009/M10+S-9009/D-10, S-9009/M10+S-9009/D-10, S-9009/51 (caution: cable lock S-9009/BC-... cannot be used in combination with these accessories).

光源固定到适配器之后，必须用两个螺钉（1和2）放置正确的外罩（A），外罩和螺钉随适配器提供（图2）。

Once the luminaire is secured into the adapter, the proper cover must be positioned (A) by means of two screws (1, 2). Cover and screws are supplied with the adapter (pic.2).

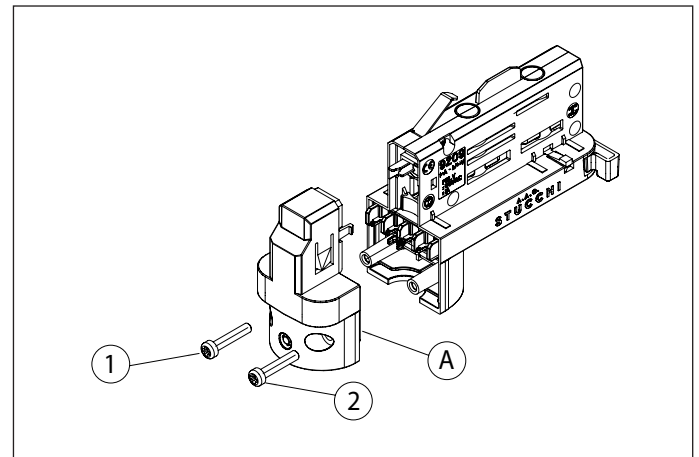
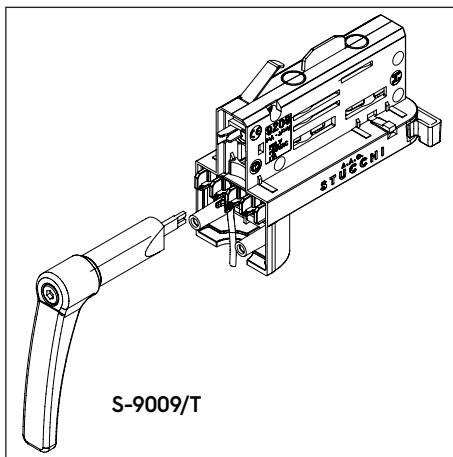


图1 适配器接线
Pic. 1 Adapter wiring

图2 适配器外壳
Pic. 2 Adapter closure



将适配器装入导轨

将适配器插入导轨，使适配器上的机械钥匙（A）对准导轨的凹槽（B）（图3）。
将两个凸轮的字母（C）转动90°。
直至到达锁定位置（图4）。

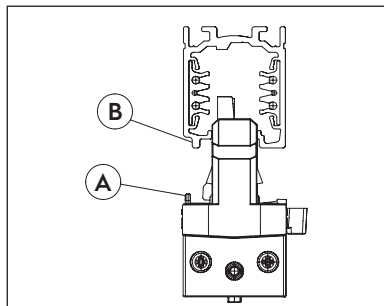


Fig. 3 Chiave meccanica
Pic. 3 Mechanical key

ADAPTER MOUNTING INTO THE TRACK

Insert the adapter into the track, so that the mechanical key (A) in the adaptor matches the groove (B) in the track (pic.3). Rotate of about 90° the lever of the cam (C) until it reaches the locking position (pic.4).

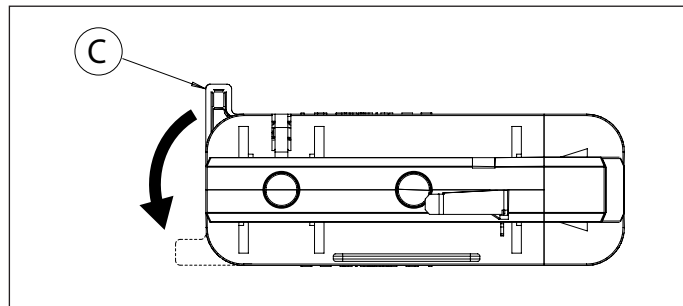


Fig. 4 Rotazioni camme
Pic. 4 Cams rotation

相位选择

将导轨连接至三相系统时，可通过适配器的适当选择器（A）选择相位（L1、L2或L3），来为系统的单光源送电（图5）。

PHASE SELECTION

When the track is connected to a three-phase system it is possible to select the phase (L1, L2 o L3) to distribute the single luminaires in the system, by means of the proper selector (A) of the adaptor (pic.5).

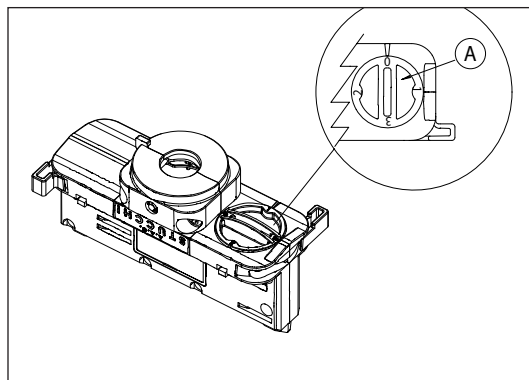
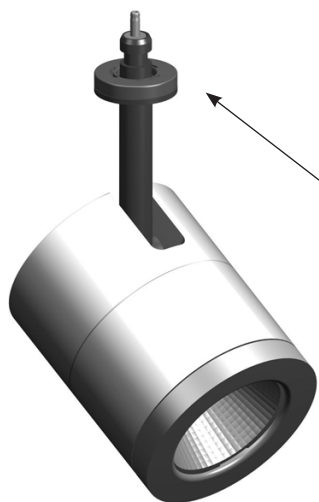


Fig. 5 Selettore di fase
Pic. 5 Phase selector



电子机械适配器9209..
灯具与轨道适配器9909系列的连接

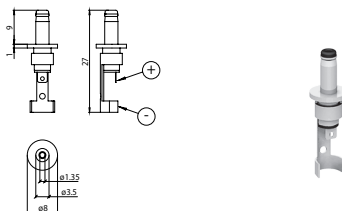
**ELECTRO-MECHANICAL ADAPTER 9909..
CONNECTION BETWEEN ADAPTER SERIES 9909...DRI..
AND LIGHTING DEVICE**



配件 - 需要单独订购
Accessories - to be ordered separately

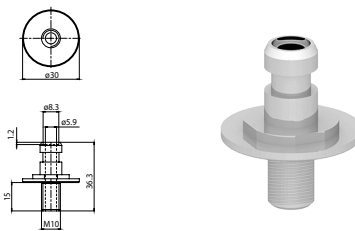


连接器电源插头 1.35 mm x 3.5 mm
Connector power plug 1.35 mm x 3.5 mm



A.A.G. Stucchi能够提供连接器电源插头。请参考款号 S-9909/002D
A.A.G. Stucchi can supply a connector power plug - please see art. S-9909/002D

灯具的端头
End of the lighting device



A.A.G. Stucchi能够提供灯具的端部（含M10螺纹）。请参考款号S-9909/M10。
A.A.G. Stucchi can supply a end of the lighting device with M10 thread - please see art. S-9909/M10.



轨道适配器9909...

隐藏式适配器9909系列仅适用于ONETRACK轨道平台，主要特点是：正确安装后可以在完全隐蔽&嵌入轨道条内。或由于其缩小的尺寸使得其更加与轨道内部相匹配。这款适配器仅适用于天花板安装的轨道，和壁装式的轨道是不兼容的。

有两种版本的适配器：
 9909-4-DRI/... 固定输出的隐藏式适配器
 9909-DRI/... 含控制系统管理的隐藏式适配器
 适配器包括一个可以向LED射灯提供动力的驱动器。
 9909-DRI系列同时可进行调光。
 驱动器的有关电性能参数：
 220-240V 50-60 Hz; I_{max}=0,14 A; Λ=0,95;
 SEC: 35...500 mA DC; max=25W; Vomax=59 Vdc.

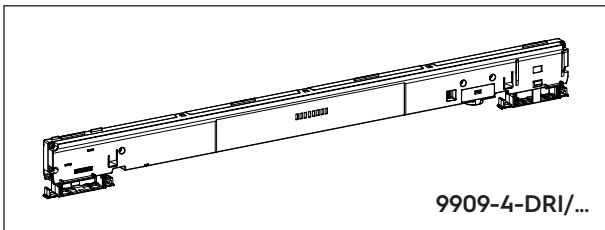
CONCEALED ADAPTER 9909..

The concealed adapter 9909 Series is to be used only in ONETRACK tracks. The main feature of this adapter is that it will be completely hidden inside the track once inserted properly. This is possible thanks to its reduced dimensions that make it completely fit inside the track itself. The adapter can be used only in a ceiling mounted track. The use of this adapter is not compatible with track mounted in the wall.

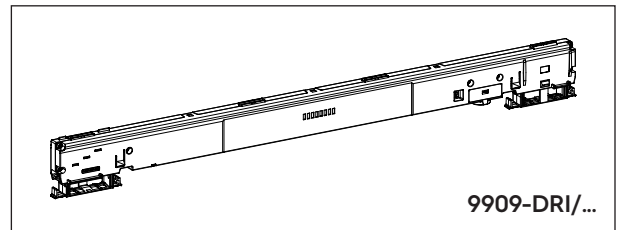
There are 2 versions of this adapter:
 9909-4-DRI/... Concealed adapter fixed output;
 9909-DRI/... Concealed adapter with a control system management.

The adapter contains an electronic driver that can power a LED spotlight. The 9909-DRI Series is also dimmable.

Electrical Characteristics of the driver: PRI: 220-240V 50-60 Hz; I_{max}=0,14 A; Λ=0,95; SEC: 35...500 mA DC; max=25W; Vomax=59 Vdc.



9909-4-DRI/...



9909-DRI/...

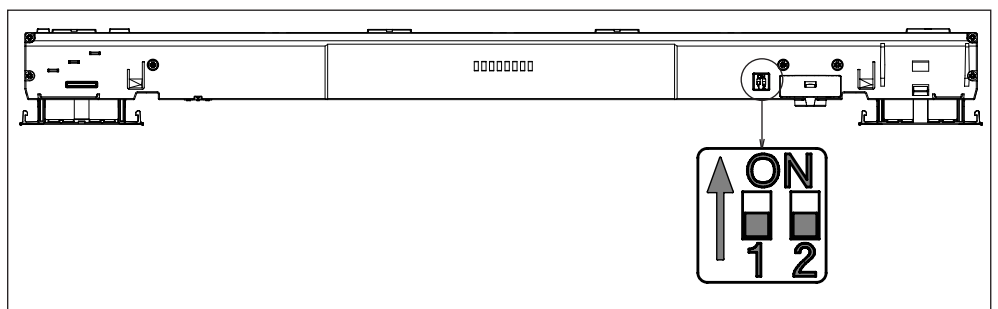
适配器 9909...系列的安装说明

在将适配器9909安装至轨道内之前，应首先选择输出电流。由于射灯将安装在此接合器上，因此应仔细选择该输出电流。

MOUNTING INSTRUCTIONS OF ADAPTER 9909.. SERIES

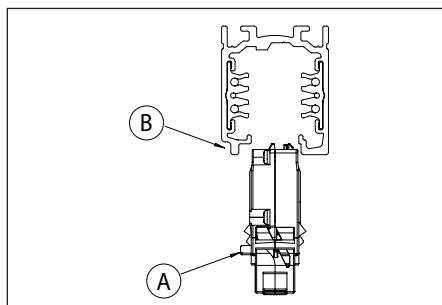
Before installing adapter 9909 inside the track, the output current needs to be selected. This current should be selected with care given to the spotlight that will be installed on this adapter.

P out	I out	V out	1	2
17W	350mA	20...50V	-	-
20W	400mA	20...50V	-	ON
22W	450mA	20...50V	ON	-
25W	500mA	20...50V	ON	ON



将适配器9909...插入至轨道内，以使得机械键1和导轨上的B槽互相匹配。

Insert the adapter 9909...into the track, so that the mechanical key A matches the B groove on the track.



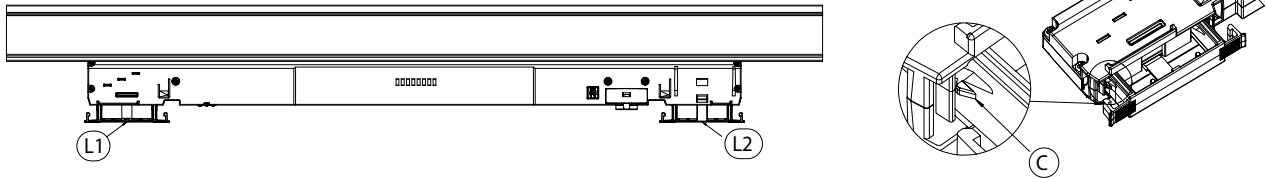
机械钥匙
Mechanical key



为了确保适配器能够正确插入导轨内，应确保L1和L2的插销完全抬起。

为保证插销的位置正确，请检查标签条C（每个杠杆2个标签条）都在适配器的外面，并且可以看得见。

In order to guarantee the correct insertion of the adapter into the track one must be sure that L1 and L2 latches are completely raised. To be sure that the latches are in their correct position please check that the tabs C (2 for each lever) are out of the adapter and visible.

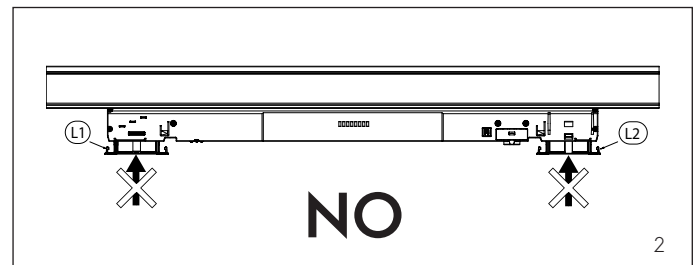
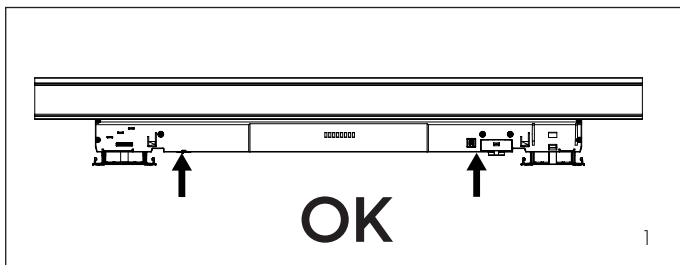


将适配器插入至导轨内，按图中所示进行推动。

注意：不得通过推2个杠杆L1和L2的方式尝试将适配器插入导轨内。这些杠杆必须保持处在打开和抬起的位置。

Insert the adapter into the track, pushing it as shown in the picture 11.

ATTENTION: do not try to insert the adapter into the track by pushing the 2 levers L1 and L2. These levers must stay in open and raised position (pic.12).



一旦适配器插入导轨内，按照箭头的方向推动杠杆，直到接合器内完全关闭和齐平。

Once the adapter is inserted into the track, push the levers indicated by the arrows till they are completely closed and flush in the adapter.



将射灯插入至适配器中，并进行推动，直到机械安装完成为止。请确保适配器已经完全插入。

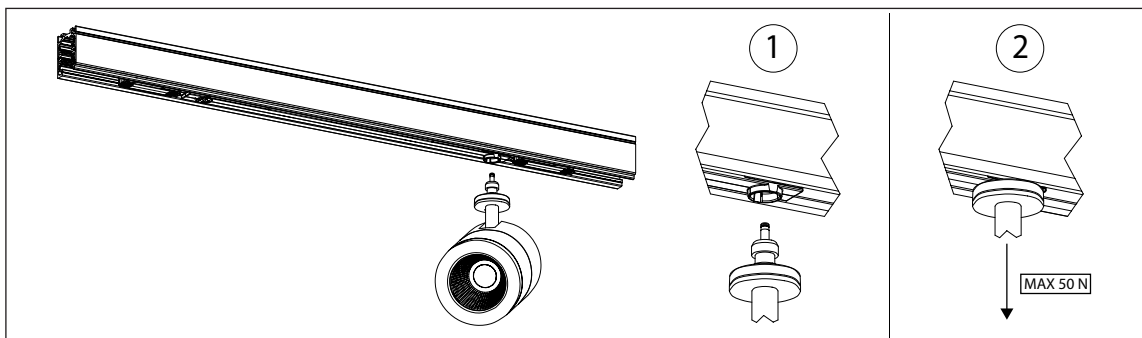
射灯的最大负载不得超过适配器的最大负载（50N）。

接合器的最大弯矩为2.5 N/m。

由于射灯和适配器之间的特殊连接方式，可对射灯进行360°的旋转。

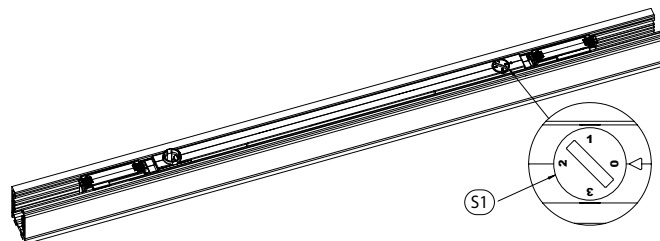
通过锁紧装置确定位置。

Insert the spotlight into the adapter making sure to push it till the mechanical fixing is completed. Please make sure that the adapter is fully inserted. The maximum load of the spotlight must not exceed the adapter's maximum load (50N). The maximum bending moment of the adapter is 2.5N/m. Thanks to the special connection between the spotlight and the adapter it's possible to rotate the spotlight 360°. A position can be fixed with a locking device.



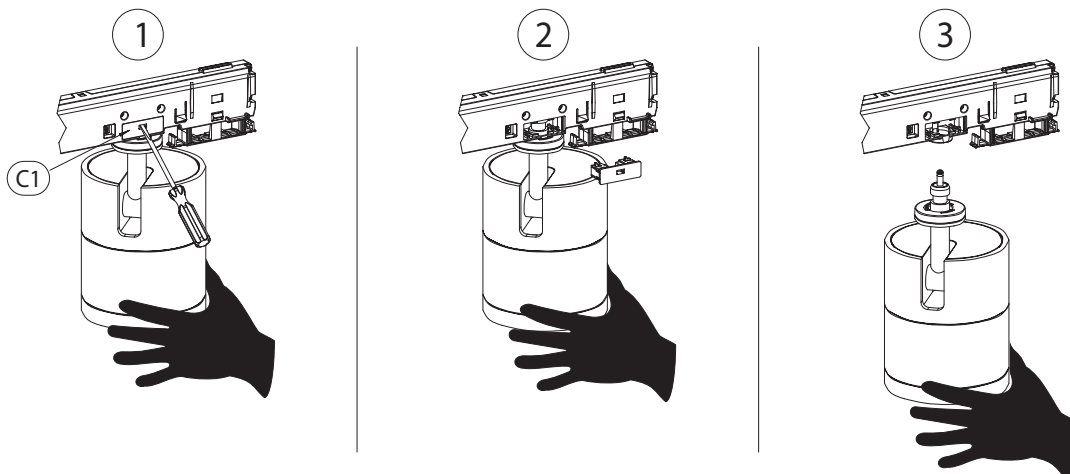
如果导轨系统和一个三相系统相连，请使用适配器上S1相选择器为每盏射灯选择相位（L1、L2或L3）。
在安装的时候必须使用相位选择器，而且只有经过培训的人员才可以使用相位选择器。

If the track system is connected with a three phase system it is possible to select the phase (L1, L2 or L3) for each spotlight using S1 phase selector on the adapter. The phase selector must be used when installing and by trained personnel only.



如需将射灯从适配器上解下，需使用螺丝起子首先将锁块C1移除，然后再解下射灯。
一旦锁块移除，射灯就脱离了适配器。
所以在进行此操作的时候应紧握射灯，防止其不慎掉落

To unfasten the spotlight from the adapter, remove the locking piece C1 with the use of a screwdriver and detach the spotlight. Once the locking piece is removed the spotlight will be free from the adapter. Maintain a grip on the spotlight while carrying out this procedure so it does not accidentally fall.

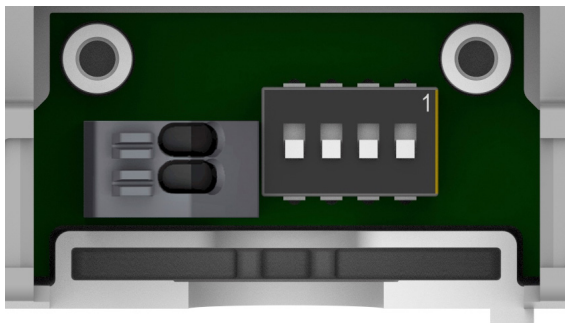


电子机械适配器 9409-DRI...

ELECTRO-MECHANICAL ADAPTER 9409-DRI...

电源选择的组合键

KEYS COMBINATION FOR POWER SELECTION



ON
↑
S1 1 2 3 4

使用前请务必检查S1拨号开关设置
Before use always check S1 dipswitch setting.

Pout (W)	Iout (mA)	1	2	3	4
14	325	-	-	-	-
15,5	350	-	-	-	ON
16,5	375	-	-	ON	-
17,5	400	-	-	ON	ON
18,5	425	-	ON	-	-
19,5	450	-	ON	-	ON
21	475	-	ON	ON	-
22	500	-	ON	ON	ON
23	525	ON	-	-	-
24	550	ON	-	-	ON
25	575	ON	-	ON	-
26,5	600	ON	-	ON	ON
27,5	625	ON	ON	-	-
28,5	650	ON	ON	-	ON
29,5	675	ON	ON	ON	-
31	700	ON	ON	ON	ON

V: 20...44Vcd

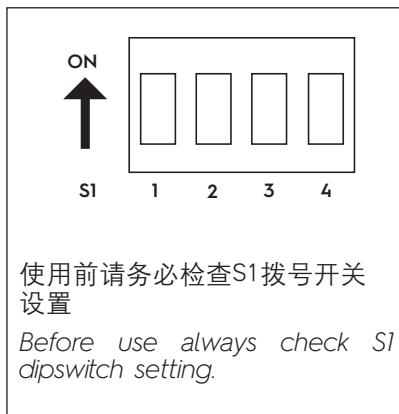
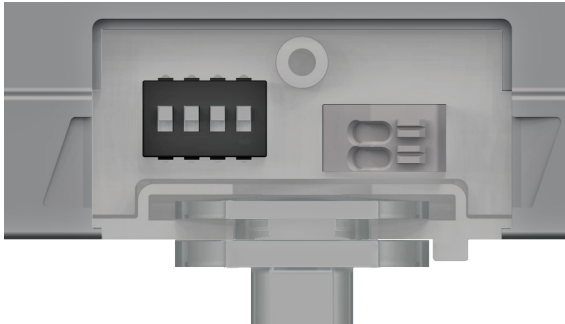


电子机械适配器 9409-4-DRI...

ELECTRO-MECHANICAL ADAPTER 9409-4-DRI...

电源选择的组合键

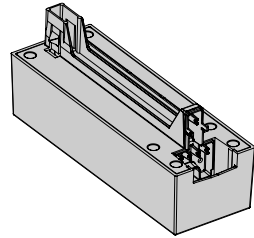
KEYS COMBINATION FOR POWER SELECTION



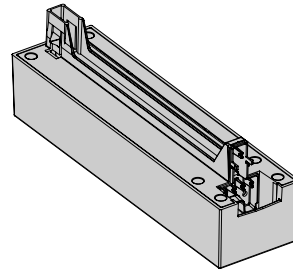
Pout (W)	Iout (mA)	1	2	3	4
4	100	-	-	-	-
6	150	-	-	-	ON
8	200	-	-	ON	-
10	250	-	-	ON	ON
12	300	-	ON	-	-
14	350	-	ON	-	ON
16	400	-	ON	ON	-
18	450	-	ON	ON	ON
20	500	ON	-	-	-
22	550	ON	-	-	ON
24	600	ON	-	ON	-
26	650	ON	-	ON	ON
28	700	ON	ON	-	-
30	750	ON	ON	-	ON
32	800	ON	ON	ON	-
32	850*	ON	ON	ON	ON

V: 40Vdc / *37,5Vcd





9209/BD-M...



9209/BD-L...

