

### 注意事项

本说明页中所述全部操作都必须且只能由专业人员完成。安装装置时,请关掉所有电压设备以及遵守有关国家安装操作规定。

最终用户与/或安装人员需对以下负责,保证:保证系统的电,机械与温度与所安装的框架以及相连接的设备的兼容性。

安装轨道时,不可超过文件中所规定的荷载和距离轨道与其配件以及适配器,不可与不带质量标志的部件一起用。

A.A.G.Stucchi的轨道只可以使用的连接件,A.A.G. Stucchi的连接件只能用于A.A.G. Stucchi的轨道A.A.G. Stucchi公司允许只能使用A.A.G. Stucchi的零配件用于ONETRACK®轨道系统。

零配件需要正确地按照安装说明来进行安装。如果使用非原厂的零配件,或者没有符合安装说明,那么作为生产厂家将不对系统的安全性和功能性所负责。

这种情况下使用者有责任确保产品和灯具间的电气性,机械性及热容性的相兼容。

轨道的轮廓中有一把机械钥匙,以保证多段轨道的正确连接。

另外,端部馈电和接头处有一把机械钥匙(螺钉按照以下的图纸来提供),为保证选择正确的部件,需考虑到这点。

机械钥匙所在的位置以红线标注。

### WARNING

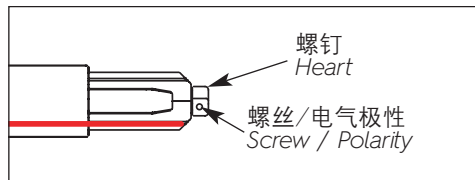
All the described operations of this instructions page must be done by specialized personnel only. Exclude voltage plant. Please respect national installation regulations. A.A.G Stucchi allows to use only A.A.G. Stucchi parts in applications where ONETRACK® system is used. These parts must be installed according to the installation instructions. The company as a manufacturer is not responsible for the safety and functioning of the system if parts not belonging to it are used or if any deviation from the installation instructions occurs. It is then the user's responsibility to ensure the electrical, mechanical and thermal compatibility between the system and the fixtures used with it. The track, its components and also the adapters can't be used with accessories without the Quality Mark.

On A.A.G. Stucchi track one can use only A.A.G. Stucchi connections. A.A.G. Stucchi connections can be used only with A.A.G. Stucchi tracks. Do not exceed listed loading indicated in the relevant section and respect fixing distances during the track mounting.

There is a mechanical key on the outline of the track to guarantee the right connection of the multiple pieces of the track.

Also end-feeds and connection joints have a mechanical key (screw presence as per picture below) that must be taken into account in order to choose the right component.

In the catalogue sketches of this articles the position of the key is highlighted with a red line.

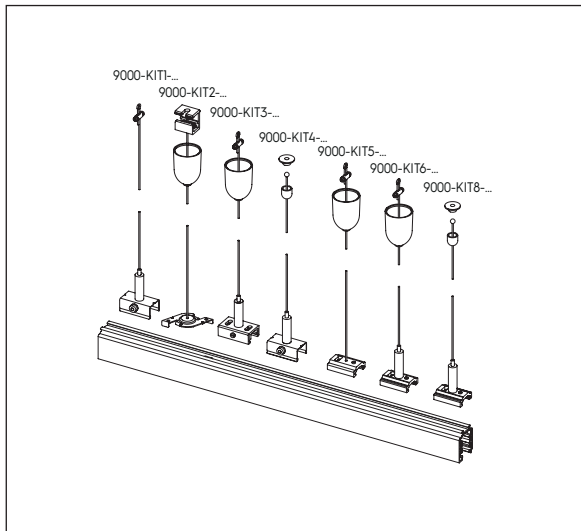


跟踪固定配件

TRACKS FIXING ACCESSORIES

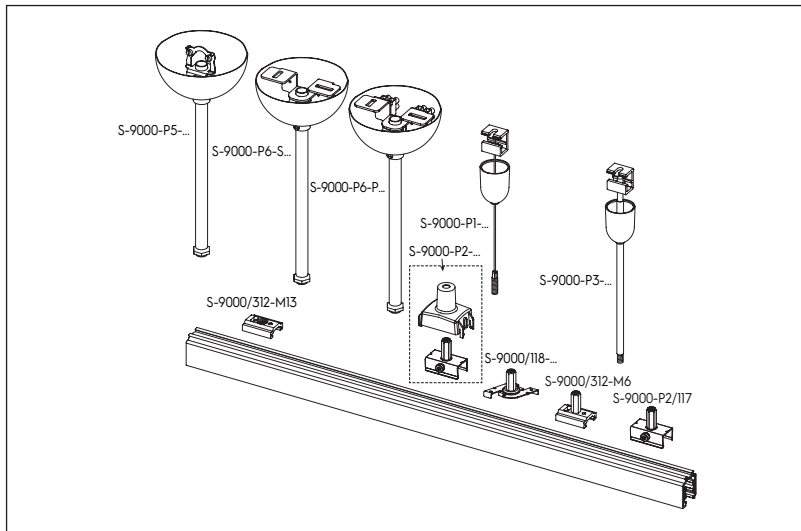
标准版

STANDARD TRACK



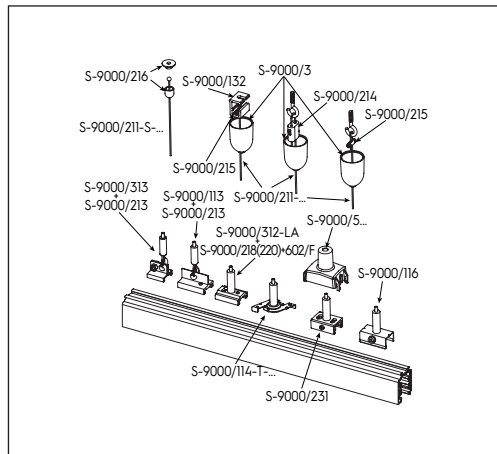
吊线组件

Complete suspension kit



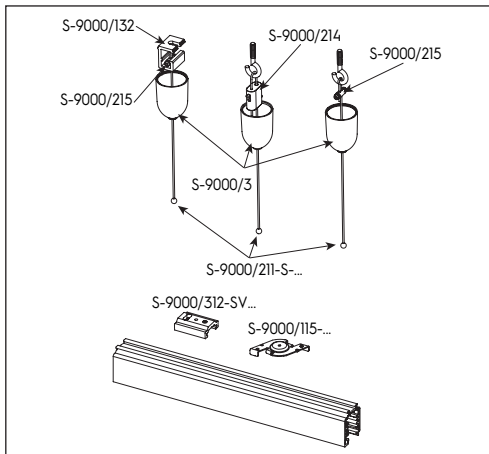
在轨道连接点有调节装置的吊线配件

Suspension sets



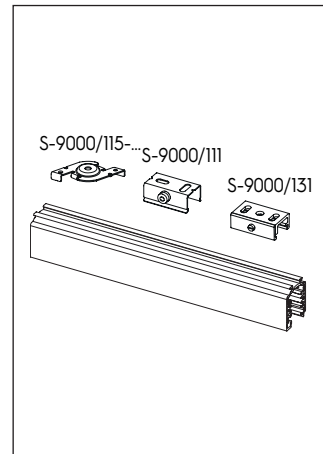
在天花板连接点有调节装置的吊线配件

Suspension accessories with track adjustment



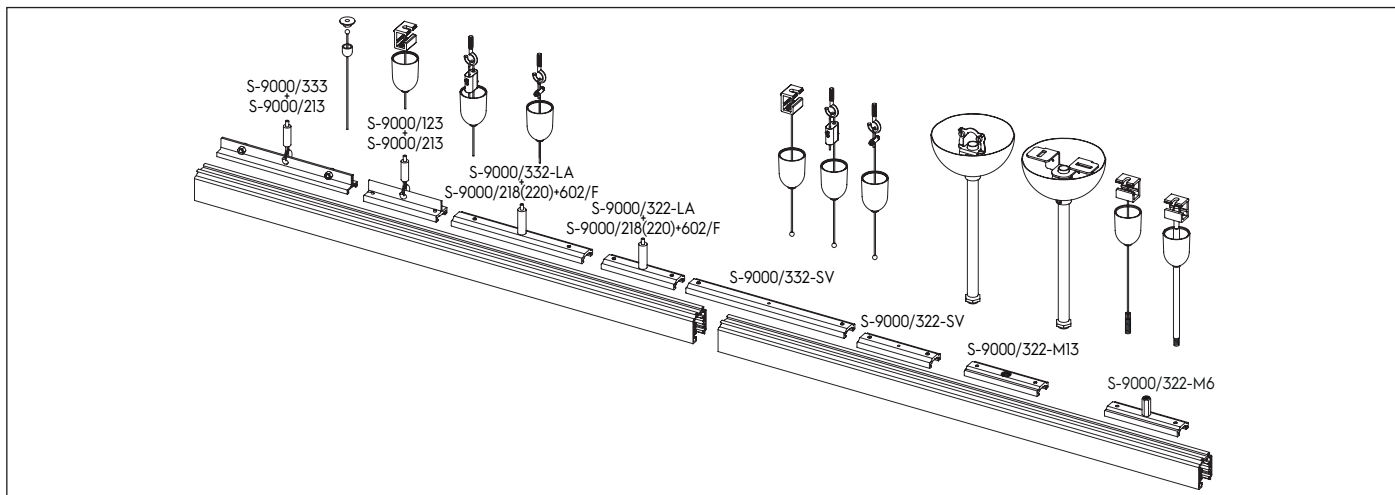
天花板固定配件

Suspension accessories with ceiling adjustment



用于轨道两部分间连接的单个配件

Ceiling fixing accessories

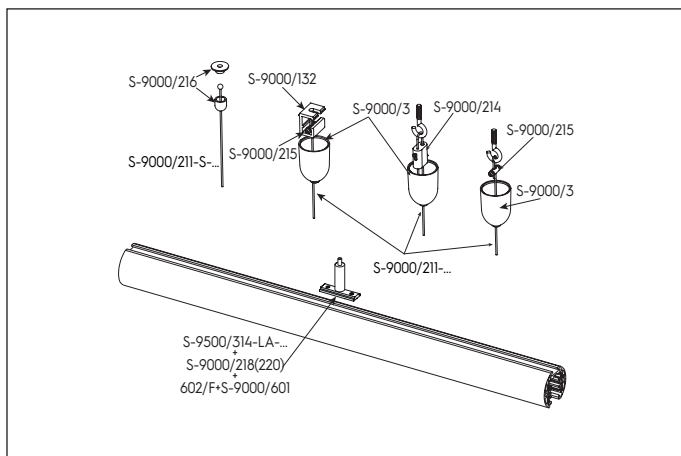


用于倒置使用轨道的配件

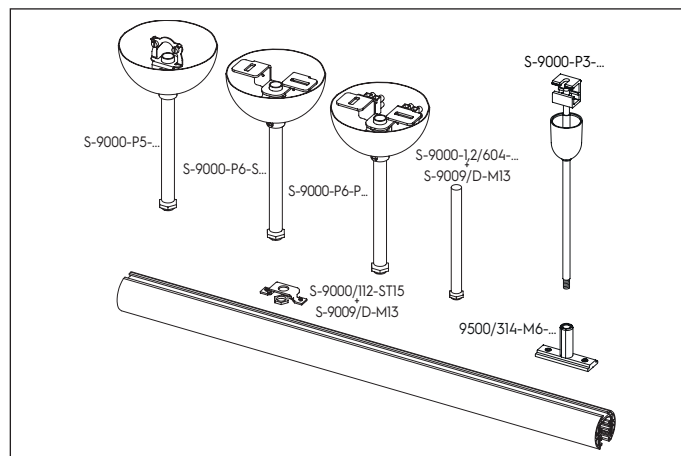
Single accessories for "in row" use junctions



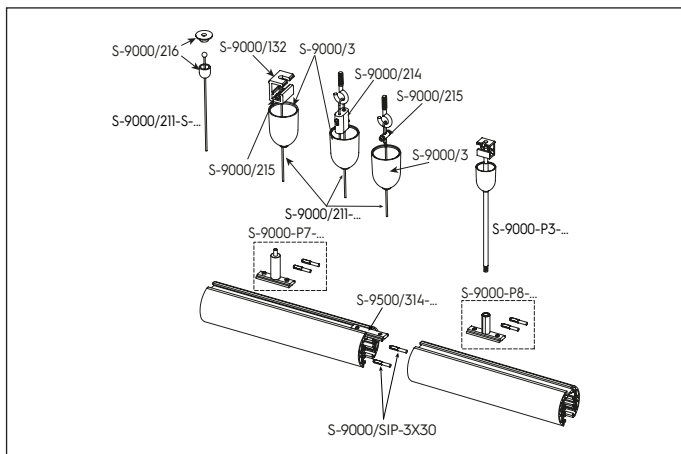
圓版  
ROUND TRACK



在轨道连接点有调节装置的吊线配件  
Suspension sets



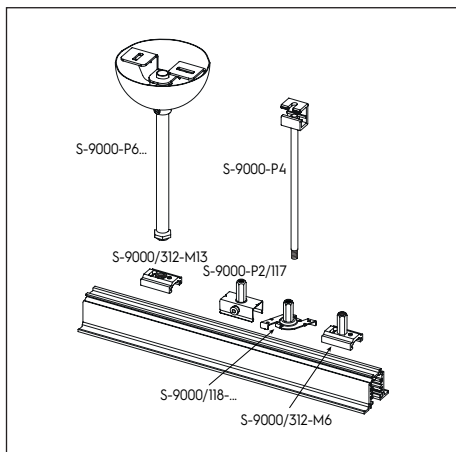
刚性悬挂套件  
Rigid suspension sets



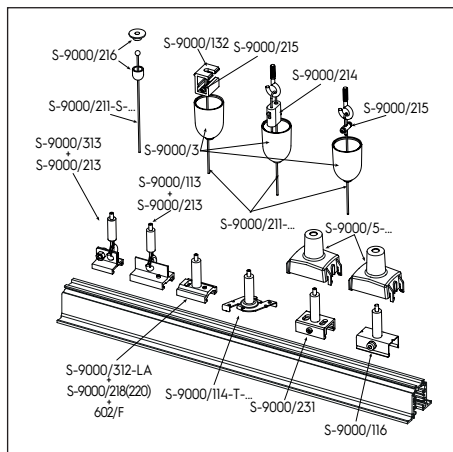
用于倒置使用轨道的配件  
Single accessories for "in row" use junctions



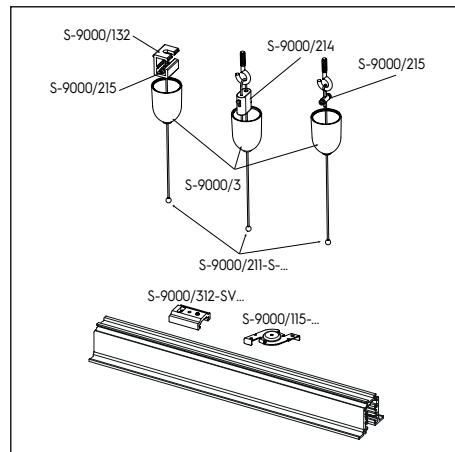
**嵌入式版**  
RECESSED TRACK



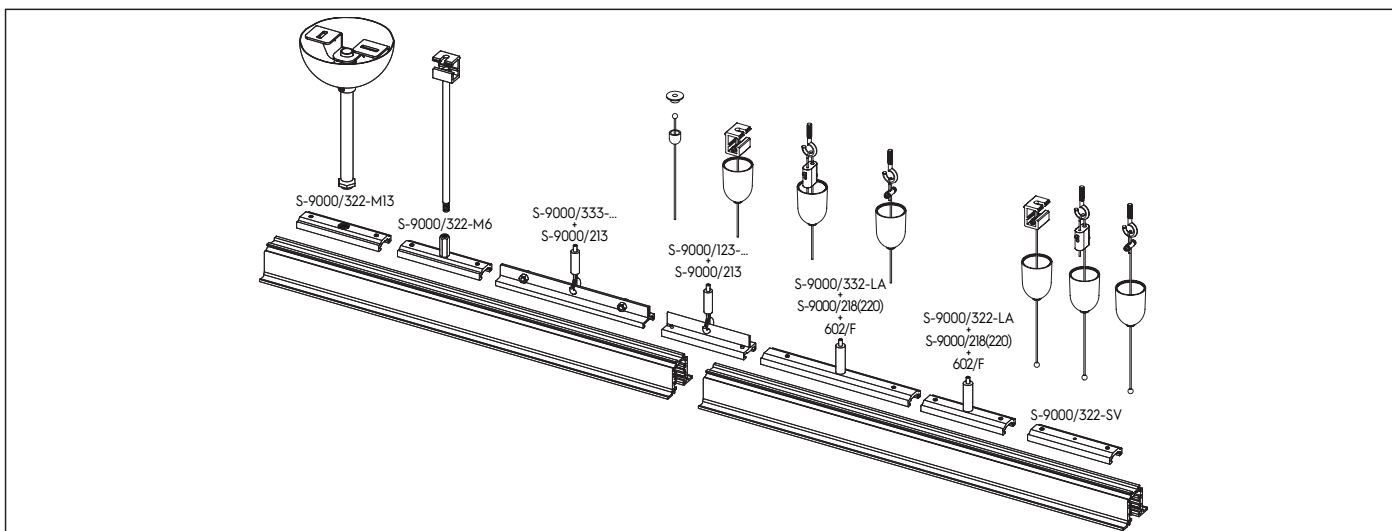
在轨道连接点有调节装置的吊线配件  
Suspension sets



在天花板连接点有调节装置的吊线配件  
Suspension accessories with regulation at track connection point

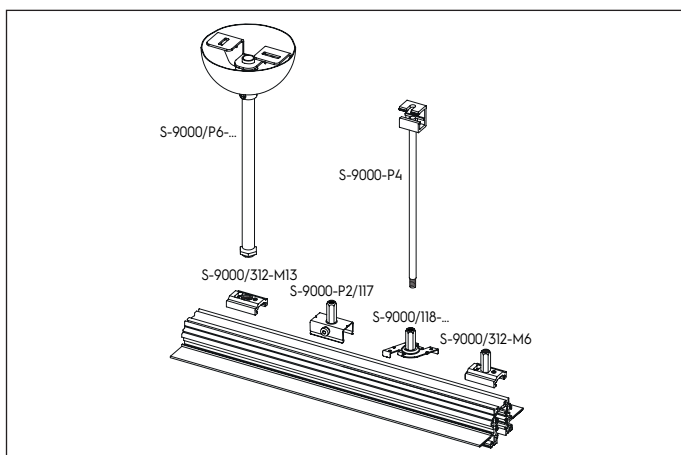


天花板固定配件  
Suspension accessories with regulation at ceiling connection

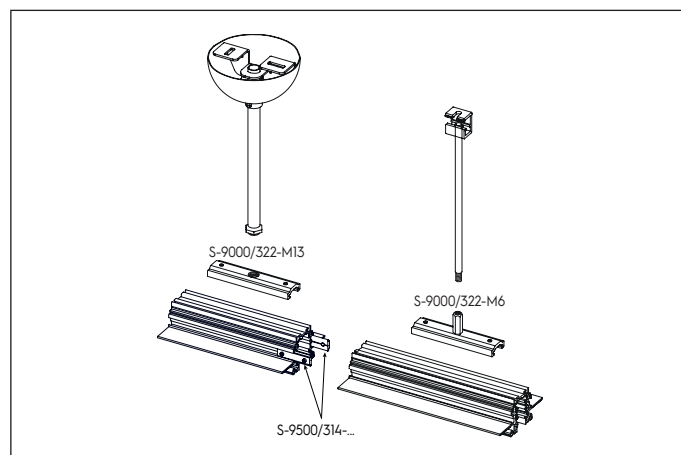


用于倒置使用轨道的配件  
Single accessories for "in row" use junctions

**无需微调跟踪**  
TRIMLESS TRACK



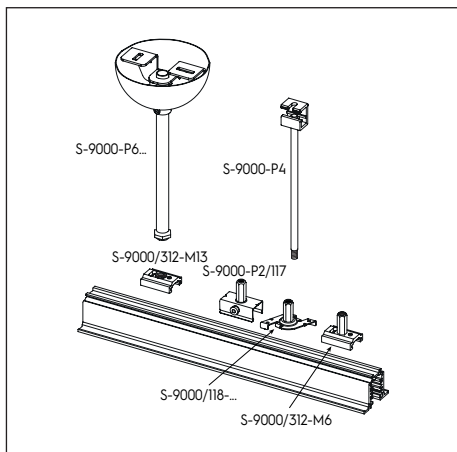
在轨道连接点有调节装置的吊线配件  
Suspension sets



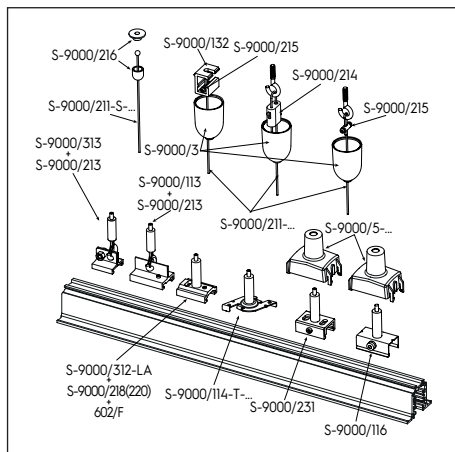
用于倒置使用轨道的配件  
Single accessories for "in row" use junctions



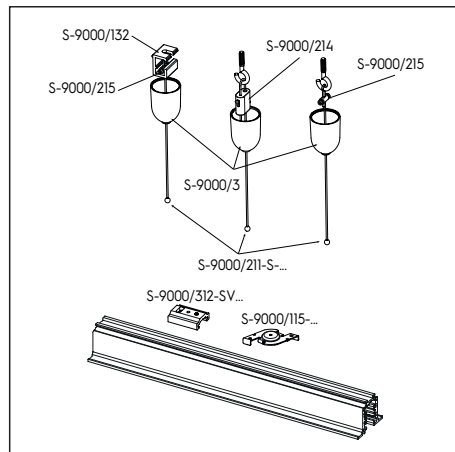
嵌入式版  
RECESSED TRACK



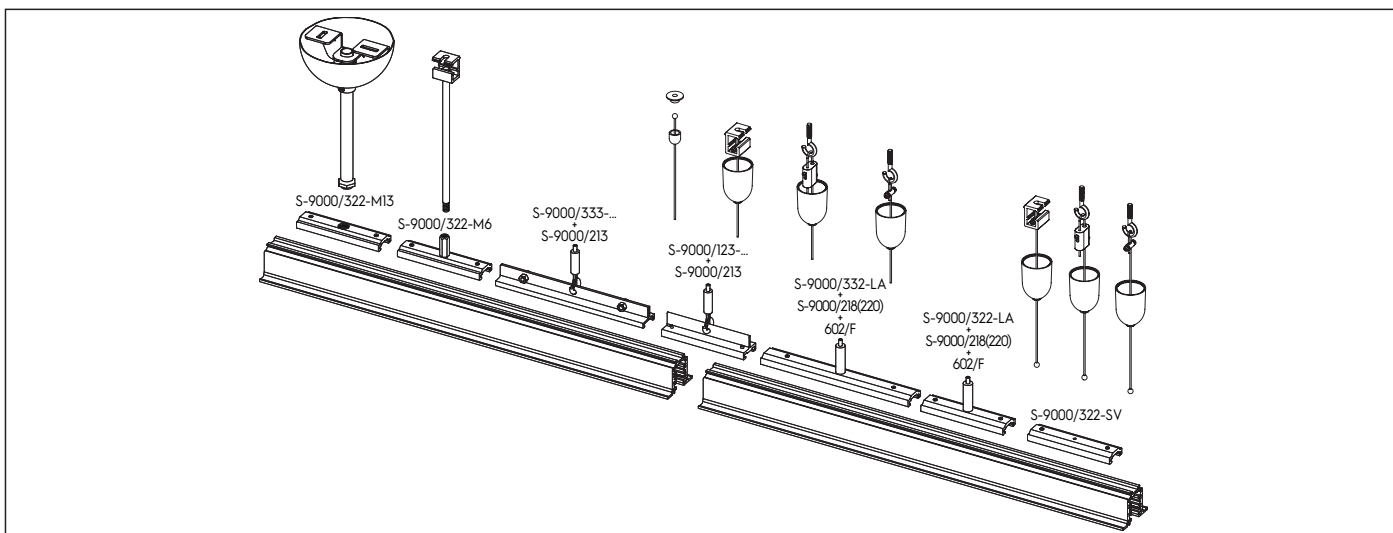
在轨道连接点有调节装置的吊线配件  
Suspension sets



在天花板连接点有调节装置的吊线配件  
Suspension accessories with regulation at track connection point

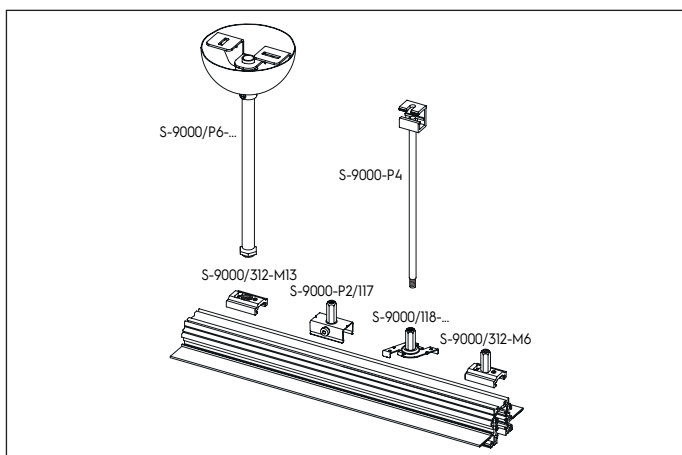


天花板固定配件  
Suspension accessories with regulation at ceiling connection

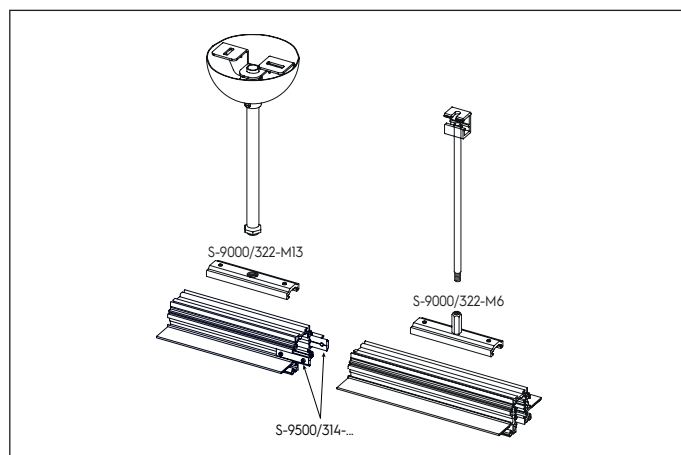


用于倒置使用轨道的配件  
Single accessories for "in row" use junctions

无需微调跟踪  
TRIMLESS TRACK



在轨道连接点有调节装置的吊线配件  
Suspension sets



用于倒置使用轨道的配件  
Single accessories for "in row" use junctions

