

注意事项

本说明页中所述全部操作都必须且只能由专业人员完成。安装装置时,请关掉所有电压设备以及遵守有关国家安装操作规定。最终用户与/或安装人员需对以下负责,保证:

证系统的电,机械与温度与所安装的框架以及相连接的设备的兼容性。安装轨道时,不可超过文件中所规定的荷载和距离轨道与其配件以及适配器,不可与不带质量标志的部件一起

用。A.A.G.Stucchi的轨道只可以使用的连接件,A.A.G.Stucchi的连接件只能用于A.A.G.Stucchi的轨道A.A.G.Stucchi公司允许只能使用A.A.G.Stucchi的零配件用于ONETRACK®轨道系

统。零配件需要正确地按照安装说明来进行安装。如果使用非原厂的零配件,或者没有符合安装说明,那么作为生产厂家将不对系统的安全性和功能性所负责。这种情况下使用者有责任确保产品和灯具间的电气性,机械性及热容性的相兼容。

轨道将通过A.A.G连接到电源。Stucchi文章9001 / ..和9002 / ...。

严禁使用任何溶剂,胶水,油,油脂或清洁剂与ONETRACK®组件接触。对于因使用上述材料而造成的任何损害,本公司概不负责。

轨道的轮廓中有一把机械钥匙,以保证多段轨道的正确连接。

另外,端部馈电和接头处有一把机械钥匙(螺钉按照以下的图纸来提供),为保证选择正确的部件,需考虑到这点。

机械钥匙所在的位置以红线标注。

WARNING

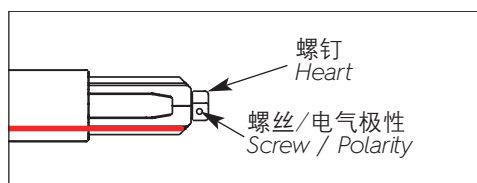
All the described operations of this instructions page must be performed by qualified personnel only. Disconnect power during installation or servicing. Please respect national and local installation regulations. A.A.G. Stucchi allows the use of A.A.G. Stucchi parts only in applications where the ONETRACK® system is used. These parts must be installed according to the installation instructions. The company as a manufacturer is not responsible for the safety and functionality of the system if parts not belonging to it are used or if there are any deviations from the installation instructions. It is then the user's responsibility to ensure the electrical, mechanical and thermal compatibility between the system and the fixtures used with it. The track, its components and also the adapters can't be used with accessories without the appropriate approvals.

On A.A.G. Stucchi track one can use only A.A.G. Stucchi connections. A.A.G. Stucchi connections can be used only with A.A.G. Stucchi tracks.

The track is to be connected to electrical power by means of the A.A.G. Stucchi articles 9001/.. and 9002/...

It is strictly forbidden to use any kind of solvent, glue, oil, grease or cleaner in contact with ONETRACK® components. The company is not responsible of any damage caused by the use of the materials mentioned above.

There a mechanical key on the track to guarantee the proper connection of multiple pieces of track. This key is present on all end-feeds and connecting components (see screw below-pictured). Care must be taken when ordering to select the correct components. The catalog drawing depict the position of the key with a red line.



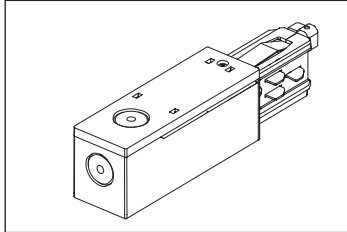
端部馈电 9001/...和9002/...

为保证系统正确接线，端部馈电提供一个机械钥匙，保证正确插入导轨

9001/... 左端馈电

9002/... 右端馈电

安装时必须正确使用机械钥匙。

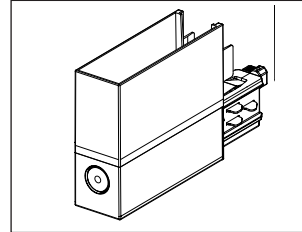


适用于标准，嵌入式和无边距轨道的端部进给
End-feed for standard, recessed and trimless tracks

END-FEEDS 9001/... AND 9002/...

In order to guarantee the correct wiring of the system the end-feed is provided with a mechanical key that ensures the correct insertion into the track.

When installing the mechanical key must be used correctly.



H轨道的尾端馈送
End-feed for H tracks

末端进线

对端部馈电接线时，使用以下线缆：5 x AWG12 或 7 x AWG12。拧开螺钉（图1），取下端部馈电盖，使触点可见。敲开可拆卸壁1或2（图2）并钻一个孔，然后用线穿过。

使用壁1时，必须使用端部馈电自身的螺丝线夹。

使用壁2时，建议使用一个塑料线夹（未随端部馈电一起提供）。去除大约3.15英寸的线缆保护壳，然后剥去0.39英寸 - 0.43英寸的线缆。

根据直径，可使用 S-9001/115 垫圈盖住端部馈电的线与孔间的空隙（套件中未包括，需单独订购）。

之后，连接至端部馈电触点，注意上边的标记（L1/L2/L3/E/T/D+/D-）。

完成接线后，盖上端部馈电的盖子，拧紧螺钉A。最后，将端部馈电插入导轨，通过螺钉B锁紧（图2）。

只能通过款号9001/...和9002/...来执行电气连接至外部电源。

END-FEED WIRING

For the wiring of the end-feed use the following wire: 5 x AWG12 or 7 x AWG12. Remove the end-feed cover unscrewing the screw (pic. 1) so that contacts are visible. Knock-out the detachable wall 1 or 2 (Pic 2) and create a hole, then make the wire pass through it. When using the hole on wall 1 the screw cord grip on the end-feed itself must be used.

When using the hole on wall 2 we recommend to use a plastic cord grip (not provided with the end-feed). Remove the protective covering from the wires for about 3.15", then strip the wires for 0.39"-0.43" (Pic 3).

Depending on the diameter it is possible to use S-9001/115 gasket to cover any possible space between the wire and the hole on the endfeed (not included in the package and to be ordered separately). After that proceed with wiring to the end-feed contacts respecting the marking on it (L1 / L2 / L3 / E / T / D+ / D-).

After wiring place the cover on the end-feed and tighten A screw. Finally insert the end-feed into the track and lock it through screw B (pic. 2).

The electrical connection to the mains can be carried out only with articles 9001/...and 9002/...

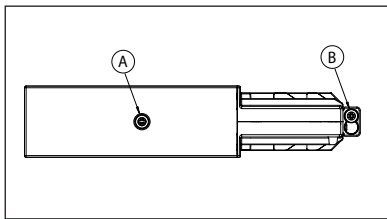


图1 端部馈电螺钉
Pic. 1 End-feed screws

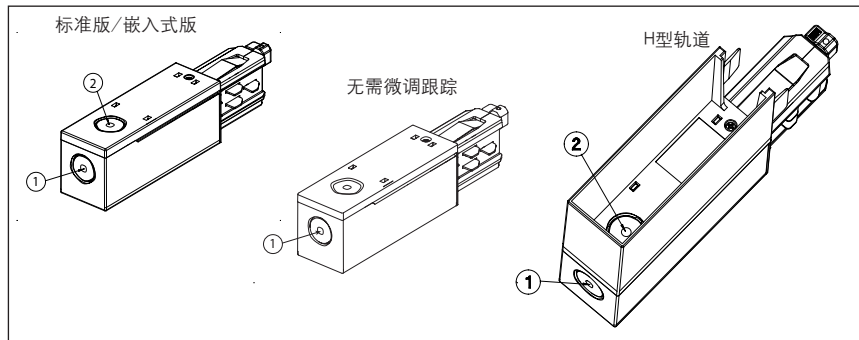


图2 敲开壁
Pic. 2 Knock-out walls

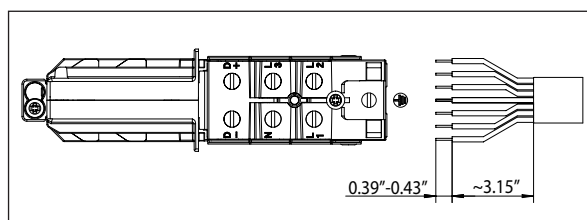


图3 线缆长度
Pic. 3 Length of the wires

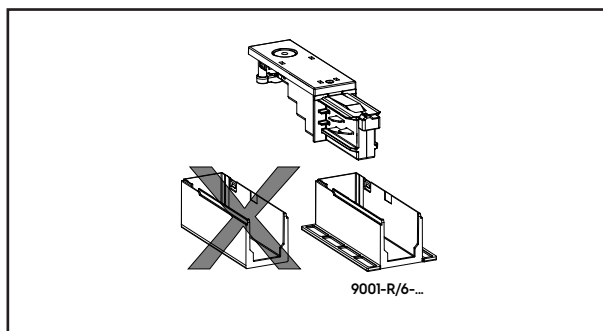


嵌入式版本

必须将标准外罩换成嵌入式外罩（套件中不包含9001-R/6-...，需要单独订购），执行“端部馈线接线”部分的相同操作（图4）。

RECESSED VERSION

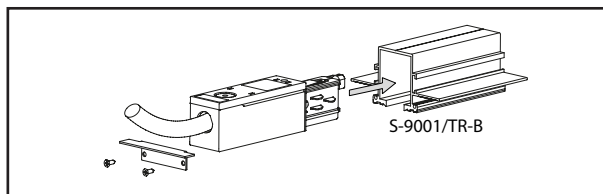
The standard cover must be replaced with the recessed cover (9001-R/6-... not included in the package and to be ordered separately), performing the same indication in the section "Endfeed wiring" (pic.4).



嵌入式版本
Pic. 4 Recessing version

无限版

TRIMLESS VERSION



无限版
Pic. 4 Trimless version

