



绝缘块，连接器端子块 Insulator blocks, connector terminal blocks

插头/插座 绝缘块
Plug/socket insulator blocks

插头/插座 连接器端子块
Plug/socket connector terminal blocks

所有 A.A.G. Stucchi 所有产品都“意大利制造”
All A.A.G. Stucchi products are entirely “Made in Italy”.

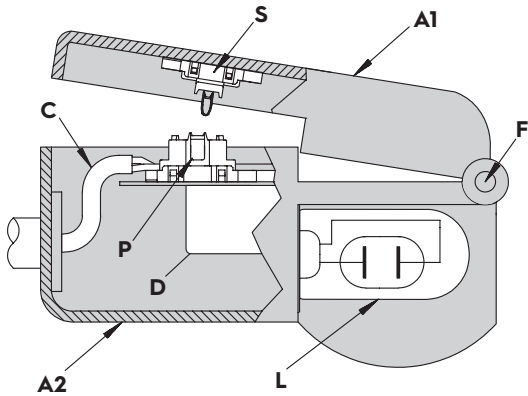
绝缘块

绝缘块组件包括一个“插座”部分，由电源线供电、集成进灯具的固件部分，以及一个“插头”部分，依附在一个齿轮盘上，阻断供给电压。当打开灯具时，绝缘块的“插头”部分会与“插座”部分分离，从而切断电路，保证安全快速地维护设备。

INSULATOR BLOCKS

The insulator blocks are components consisting of a "socket" part fed by the supply line and integrated into the fixed part of the luminaire and a "plug" part which is attached to the gear tray and interrupts the supply voltage.

When the luminaire is opened, the "plug" part of the insulator block is disconnected from the "socket" part breaking the circuit and ensuring a safe and quick maintenance of the fitting.



A1	灯具中的活动部件 Mobile part of the lighting fixture		
A2	灯具中的非活动部件 Fixed part of the lighting fixture		
P	插座绝缘块 Socket insulator block		
S	插头绝缘块 Plug insulator block		
C	电源线 Supply cable	L	灯 Lamp
D	电源部分 Supply unit	F	铰链 Hinge

绝缘块的温度“T...”

根据EN/IEC 60598-1标准，绝缘块的温度“T...”是绝缘块可以使用的最大环境温度。

环境温度是指灯具中绝缘块周围的空气温度。绝缘块经过10天“T...”+10°C的老化测试后只标示温度“T...”。

注意：相连线缆的工作温度不得超过最大额定值，这也是灯具的极限温度。

注意：当将软线连接到绝缘块的螺丝端子上时，必须在剥皮末端加上套圈。

“T...” TEMPERATURE OF INSULATOR BLOCKS

According to EN/IEC 60598-1 standards the temperature “T...” relating to the insulator block is the maximum ambient temperature in which the terminal block can be used. The ambient temperature is considered to be the temperature of the air surrounding the insulator block in the luminaires.

The insulator block is only marked “T...” when it has passed an ageing test, at “T...”+10°C for 10 days.

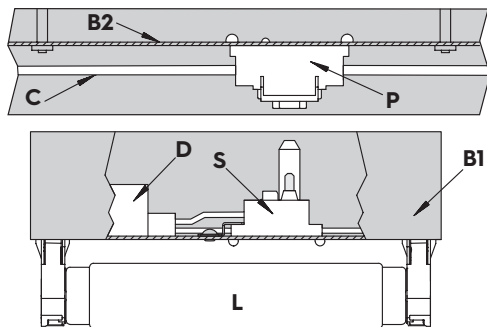
N.B. The operating temperature of the connecting cables must not exceed their maximum rated value so it can be a limit for the luminaire.

N.B. A ferrule must be used on the stripped ends when flexible wires are connected to the screw terminals of the insulator blocks.



插头/插座连接器端子块

插头/插座端子块可以让灯具快速安装到固定好的基座上。插头/插座端子块包括一个“插座”部分，集成在固定的基座上，并且已经连到电源线上，以及一个“插头”部分，集成在灯具上并连接到内部线路。



PLUG/SOCKET CONNECTOR TERMINAL BLOCKS

Plug/socket terminal blocks are components which allow to mount quickly luminaires to a base already fixed. They consist of a “socket” part, integrated in a fixed base and already connected to the supply line, and of a “plug” part, integrated into the luminaire and connected to the internal circuit.

B1	灯具中的活动部件 Mobile part of the lighting fixture
B2	非活动部件带电源线 Fixed part with supply line
P	插座连接器端子块 Socket connector terminal block
S	插头连接器端子块 Plug connector terminal block
C	不间断供电电线 Continuous supply current line wires
D	电源 Supply unit
L	灯 Lamp

连接器端子块的温度 “T...”

根据EN/IEC 61984标准，上述连接器的温度“T...”是在目录指明的正常电流下连接器可以工作的最大环境温度。

这个数字的极限值依与其相连的导线的最高工作温度而定，导线的温度更低一些，也可以不同，取决于所用导线的类型。

连接器端子块的极限温度

根据EN/IEC 61984标准，连接器端子块的最小和最大极限温度为：

最低：-10 最高：+110° C

注意：不得超过相连线缆的最高工作温度，该温度也是极限温度。

端子块的端子

端子块有以下两种类型的输入/输出端子：

- **螺丝类型：**导线插入适当的槽中，然后使用螺丝刀紧固在螺钉杆下。这种端子硬线软线都适用。

- **自动类型：**将这些导线推入一个或多个孔中，不使用螺丝。电力连接通过相关弹簧的压力保证。

这种类型的端子仅适用于硬线。要将导线拔出，应在端子块的上开口处插入螺丝刀或其他类似工具，推动内部弹簧，直到导线被端子松开为止。

在拔出导线的过程中要注意确保不损坏端子。

“T...” TEMPERATURE OF CONNECTOR TERMINAL BLOCKS

According to the EN/IEC 61984 standards, the “T...” temperature for the above connectors is the maximum ambient temperature in which they can be used with the nominal current stated in the catalogue.

This value can be limited by the maximum working temperature of the cables connected which is lower and can be different depending on the type of wires used.

LIMITING TEMPERATURE FOR CONNECTOR TERMINAL BLOCKS

According to the EN/IEC 61984 standards, the minimum and maximum limiting temperatures for connector terminal blocks are:

lower: -10°C upper: +110°C

N.B. The maximum operating temperature of the connected cables must not be exceeded and can be a limit for the luminaire.

TERMINALS OF THE TERMINAL BLOCKS

Terminal blocks sides can have two types of input/output terminals:

- **screw type:** the conductors are inserted into a suitable cavity and are then clamped, by means of a screwdriver, under the screw shank. These terminals can accept either rigid and flexible wires.

- **automatic type:** the conductors are pushed, without using screws, into one or more holes. The electric connection is guaranteed by the pressure of suitable springs.

Only rigid wires can be connected to this type of terminal. Releasing of conductors is achieved by inserting a screwdriver or other similar tool in the upper opening in the terminal blocks and pushing the internal spring until the conductor is released from the terminal.

Care should be taken to ensure the terminal would not be damaged during the extraction of wires.



注意：在有4个孔的端子中，要从下两个孔中拔出导线，只需旋转和拉出即可。

冲击耐受类型

卤素灯灯座 (EN/IEC 60838-1) 至少符合冲击耐受第II类 (EN/IEC 60664-1 标准) 规定的电气间隙和爬电距离。

灯具最终检测

灯具生产商负责进行挑选并负责部件安装无误，生产商必须对灯具进行最终测试以确认其是否能够正确运行。

N.B. In the terminals with 4 holes, releasing conductors from the 2 lower holes is achieved by rotation and pulling action.

IMPULSE WITHSTAND CATEGORY

Connectors terminal blocks are in accordance with the prescribed creepage distances and clearances for the impulse withstand category III - pollution degree 2 (EN/IEC 60664-1 standards).

LUMINAIRES FINAL TEST

The luminaire manufacturer is responsible for the choice and the correct mounting of the components and he must also carry out a final test on the luminaire to verify its correct operation.

